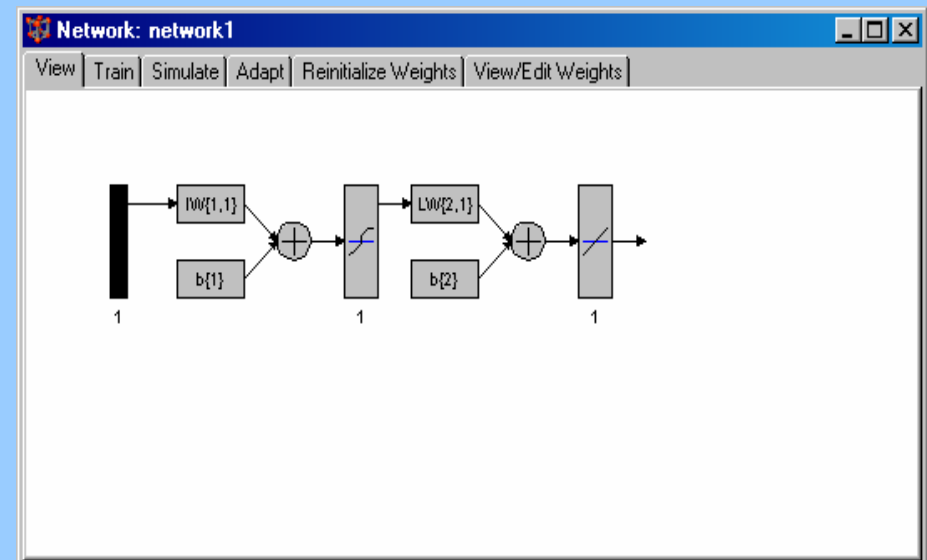
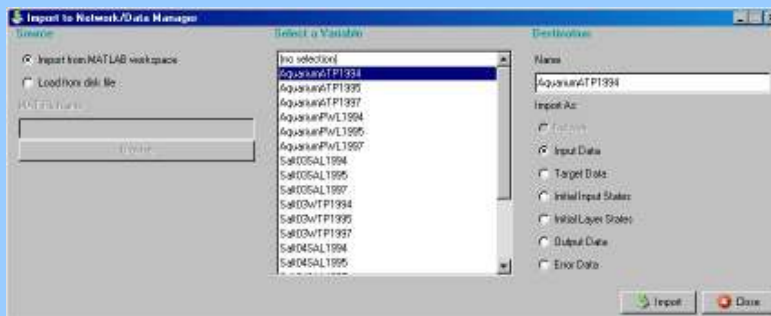
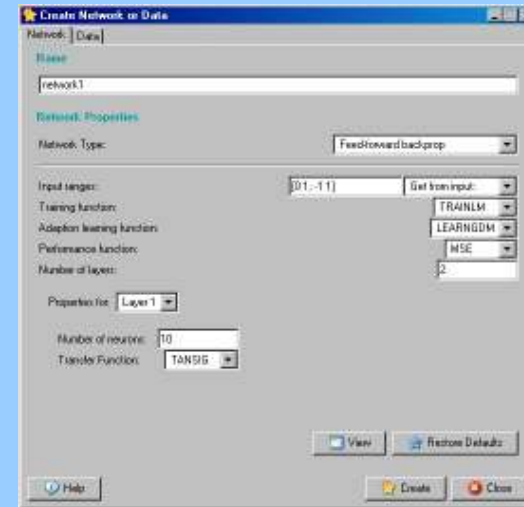
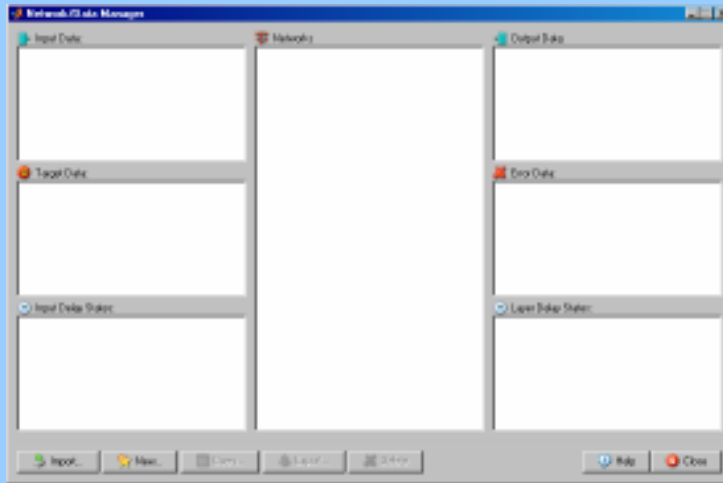


AI Computer Exercises



Division of Nearshore Research

Conrad Blucher Institute

- Measures and predicts coastal and ocean phenomena
- Works to ensure safe navigation
- Serves the Texas public in many other ways

Division of Nearshore Research

Conrad Blucher Institute

<http://lighthouse.tamucc.edu>

- Universal Query Interface
- Data Analysis Tools

Nueces Bay Salinity

<http://lighthouse.tamucc.edu/Salinity>

Stations used for AI Exercises:

- Salt 1
- Salt 3
- Salt 4
- White Point
- Aquarium

AI Exercises

- Download Matlab data file from:
<http://lighthouse.tamucc.edu/dnrpub/AIWorkshopData.mat>
- Demonstrations:
 - Neural Networks
 - Facilitated by Robyn Ball
 - Fuzzy Logic
 - Facilitated by Russell Carden

